

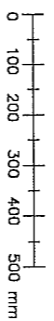
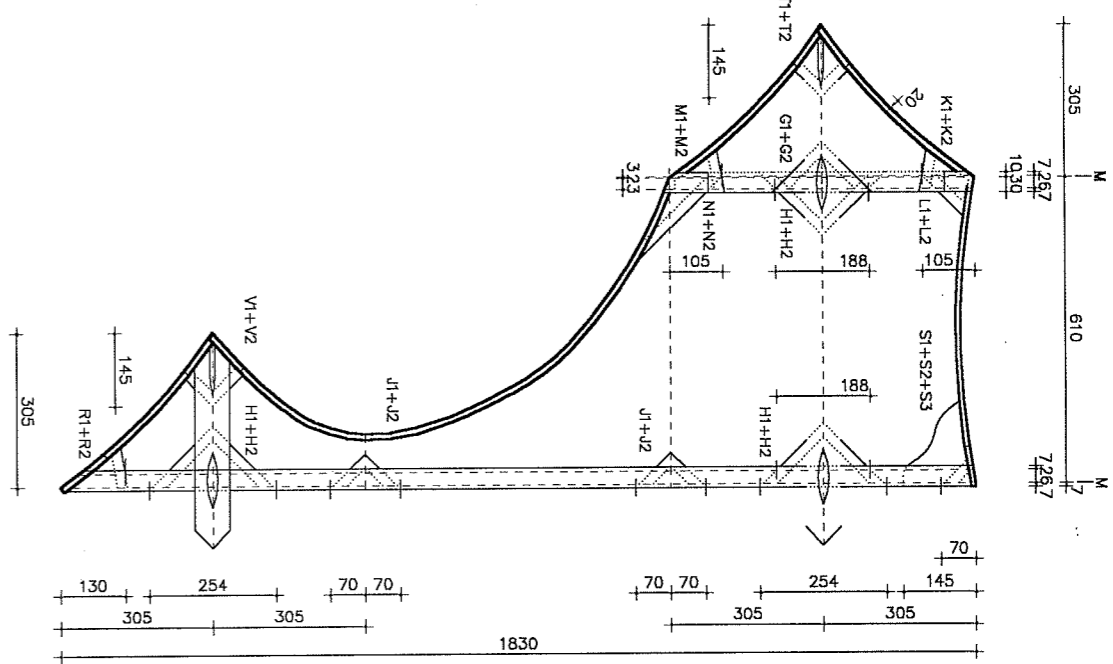
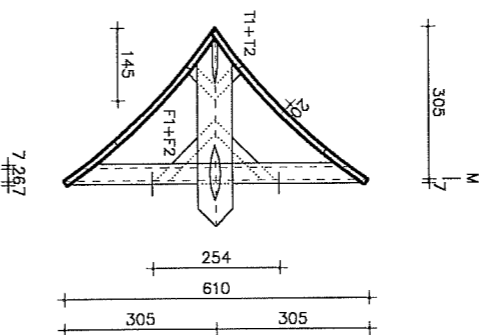
wingparts combined

1 X as drawn
1 X mirrored

WING AND FOOT

front foot

4 X



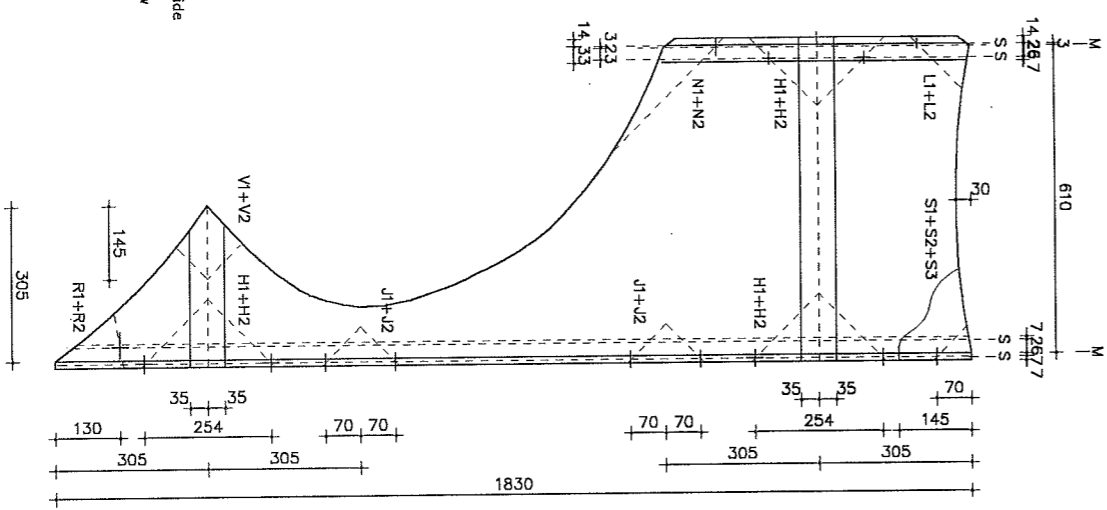
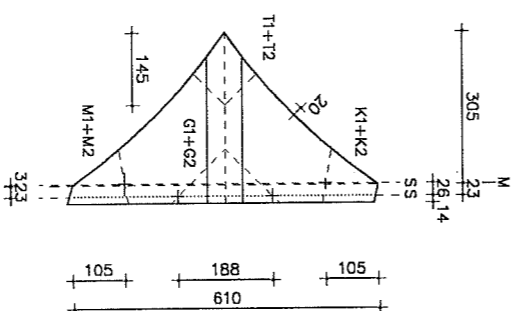
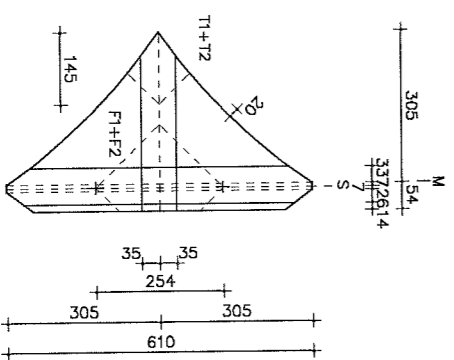
cody-n2-e * 15 * nb * 07-01-98 * 'HISTORICA DRAGONICUM'

* backside is drawn
* patches and pockets on backside

CODY-N610

wing parts

1 X as drawn
1 X mirrored



line
line other side
do not draw

S crosslines patches
M modular size

foot
4 X

SEQUENCE combining wing parts

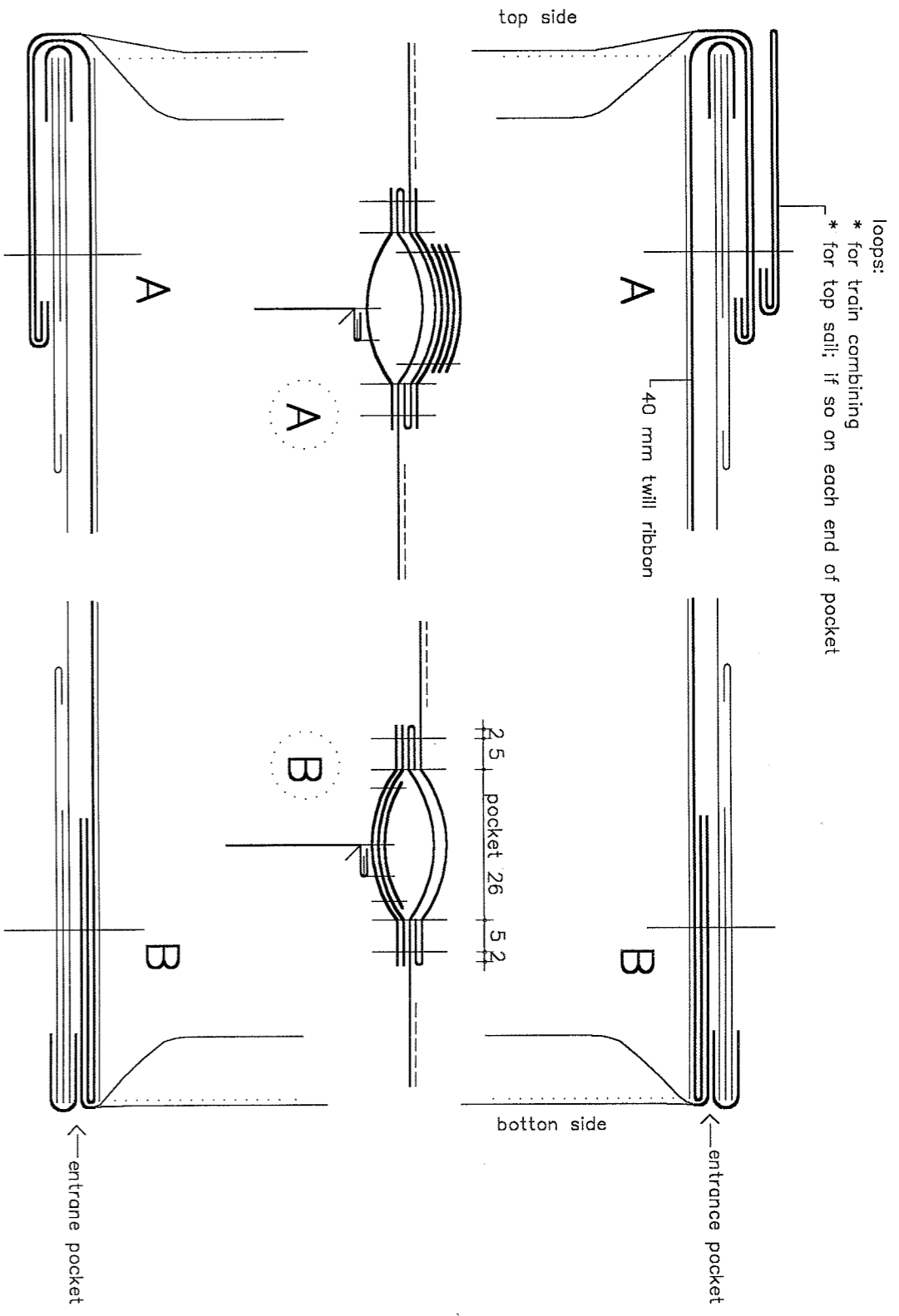
- * patches
- * trim turn up edges
- * pieces on one side together
- * edge ribben, also on untiled pocketpiece
- * fix upright pocket on one side
- * cross pocket sewn
- * wing on cell
- * finish sewing pocket on cell

NOTE
* draw from back view/side
* patches on cross pockets on backside

cody-n3-e * 15 * nb * 08-01-98 * 'HISTORICA DRAGONICUM'

DRAWING LINES ON THE CLOTH

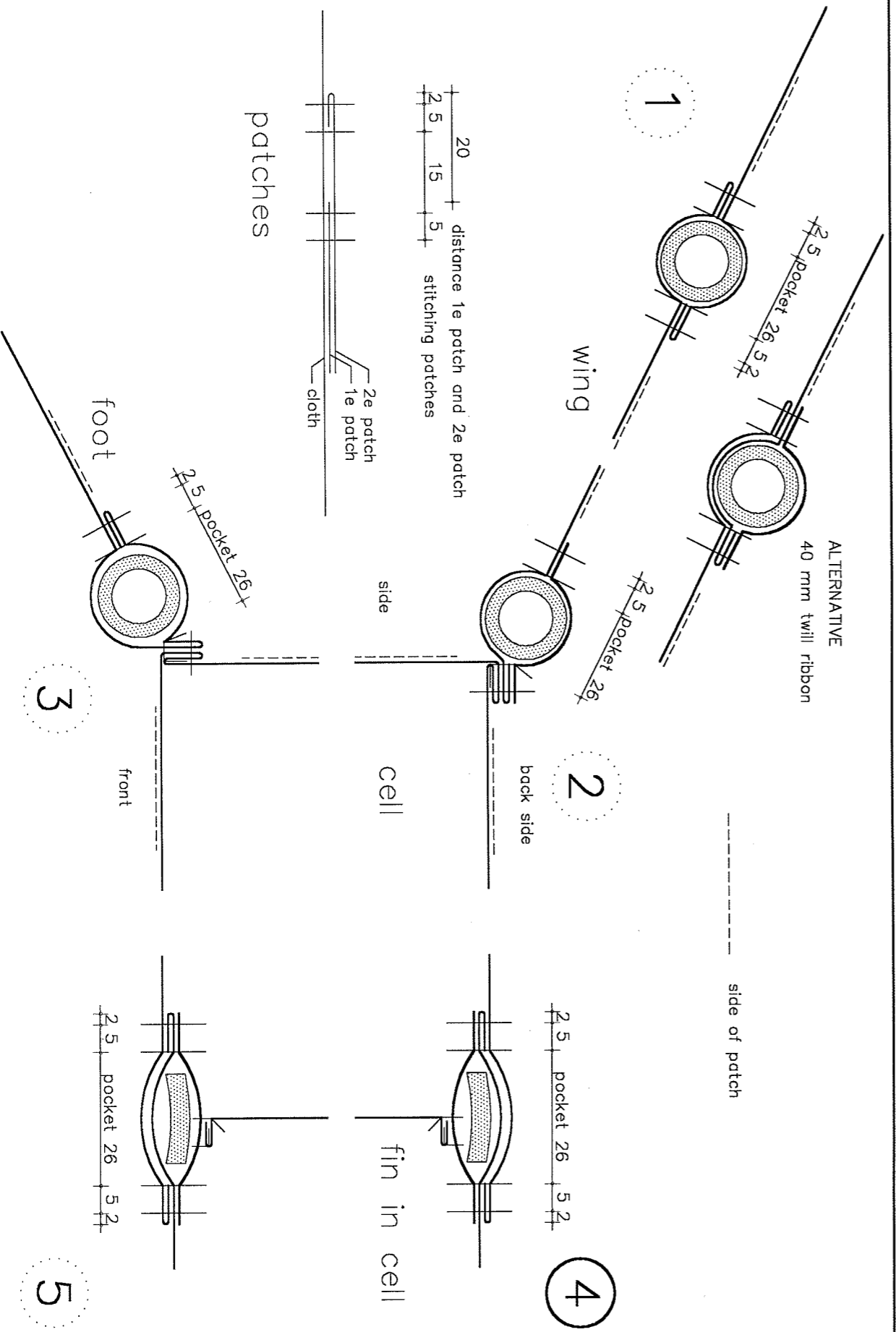
CODY-N610



Pocket fin

cody-n9-e * 1 * nb * 10.02.98 * HISTORICA DRAGONICUM

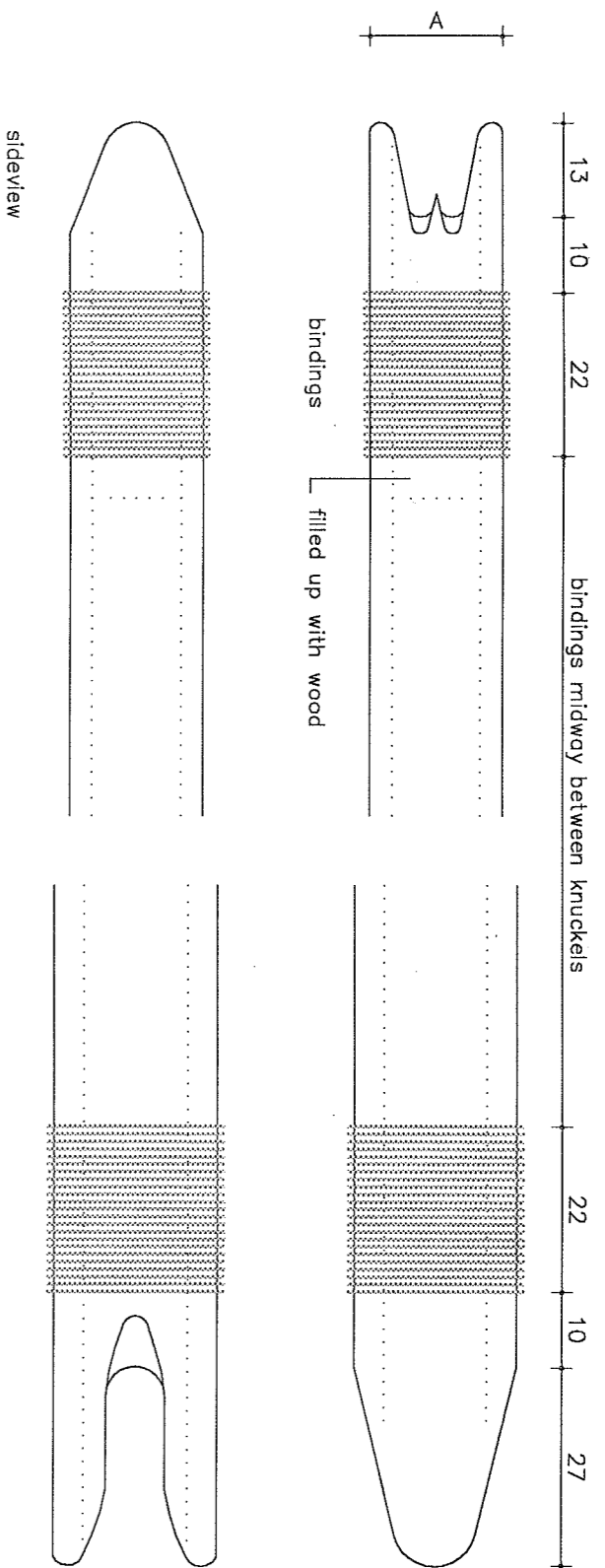
CODY-N610



DETAILS combined pieces

cody-n8 -e* 1 * nb * 10.01.98 * HISTORICA DRAGONICUM

CODY-N610

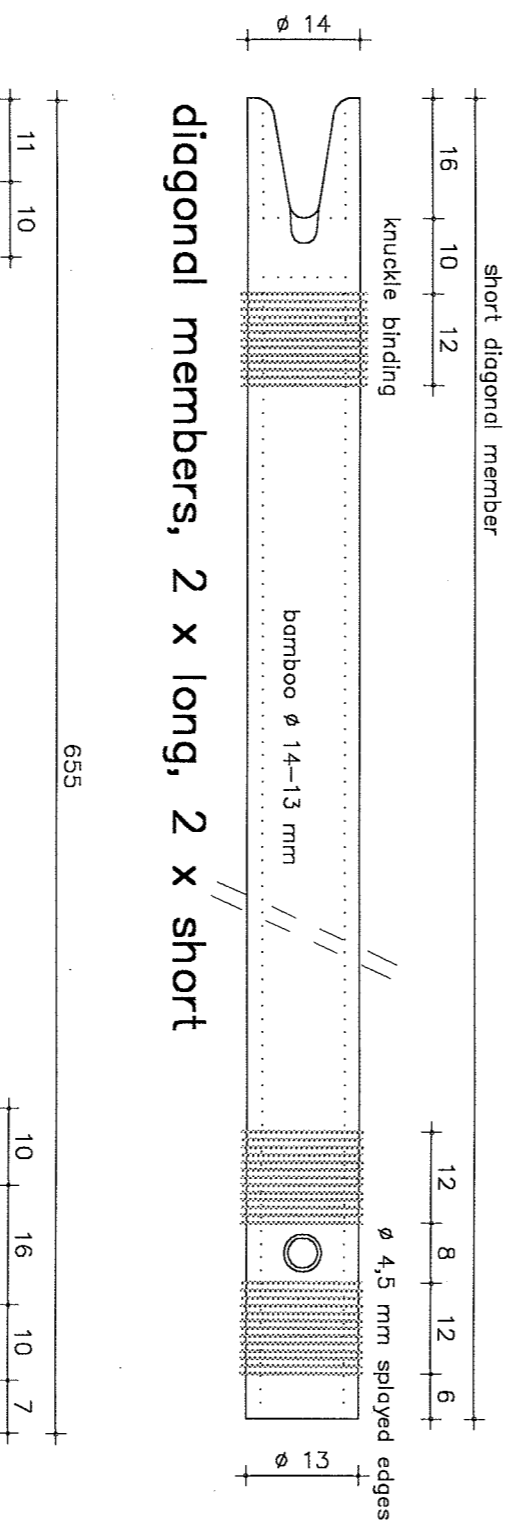


diagonal members

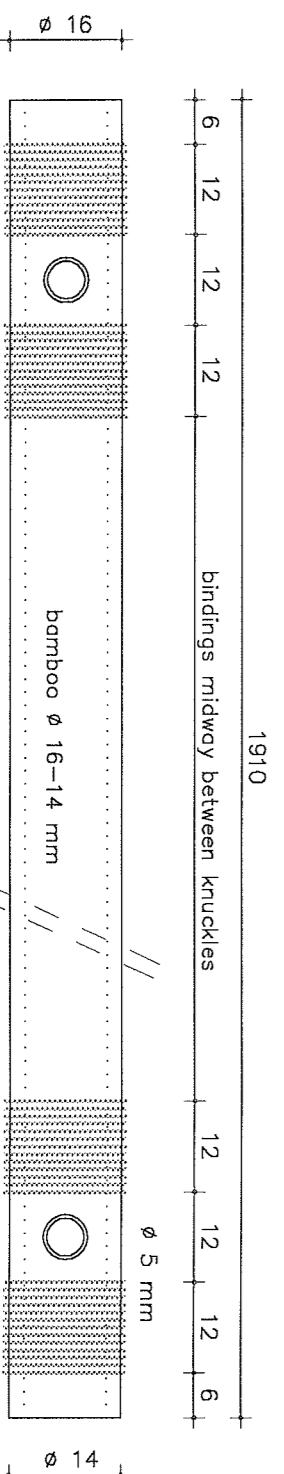
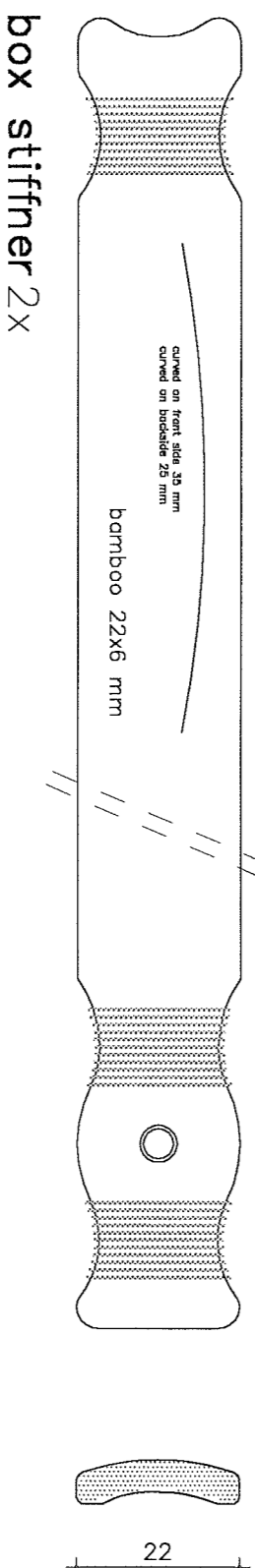
diagonal members
 * upper A= \varnothing 18 mm; B= \varnothing 23 mm, of two pieces, total length \pm 3250 mm
 * lower A= \varnothing 18 mm; B= \varnothing 20 mm, of one piece \pm 2130 mm

cody-n11-e * 1 * nb * 10.01.98 * HISTORICA DRAGONICUM

CODY-N610



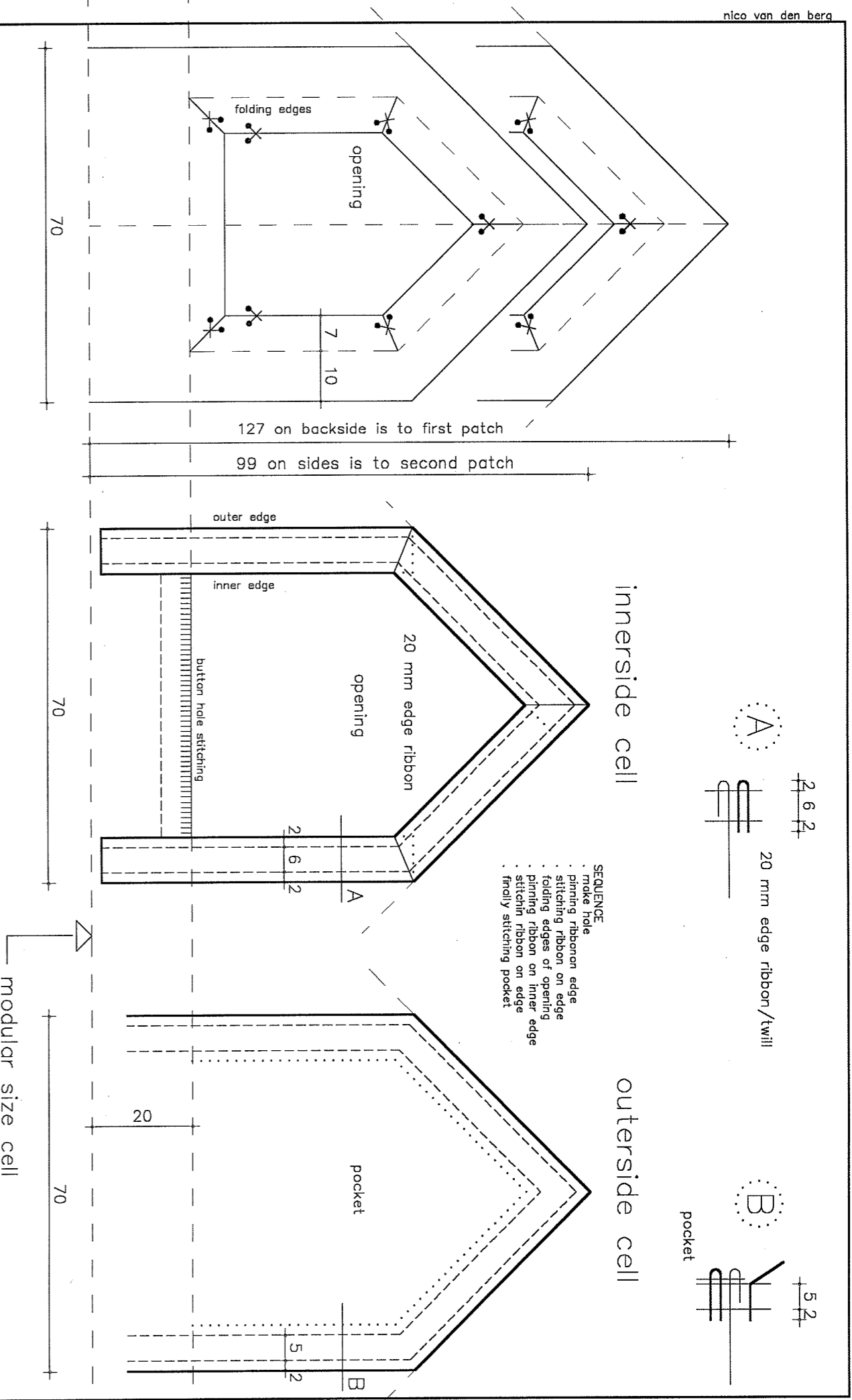
diagonal members, 2 x long, 2 x short



longitudinal members 4 x

cody-n10-e * 1 * nb * 10.01.98 * HISTORICA DRAGONICUM

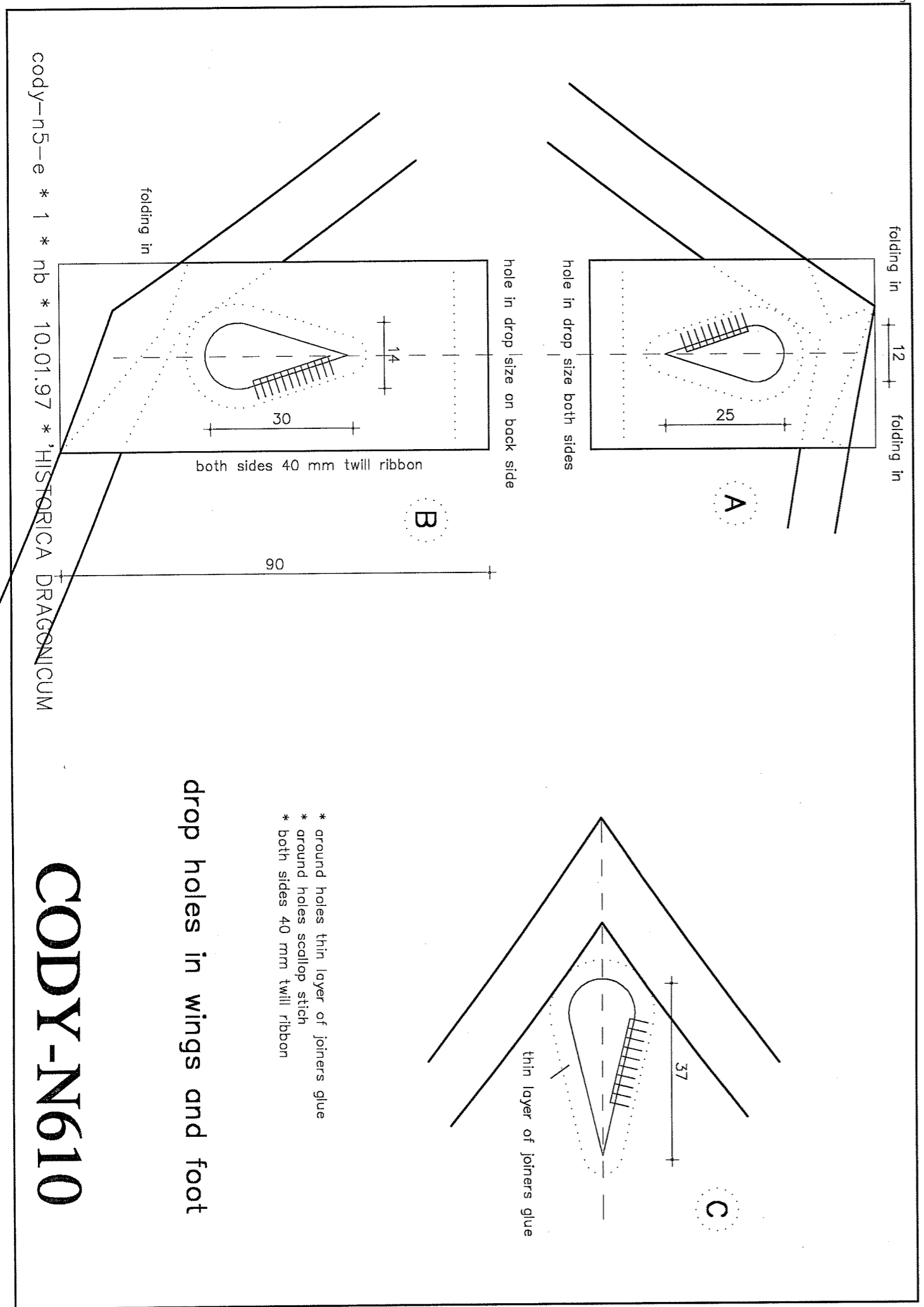
CODY-N610



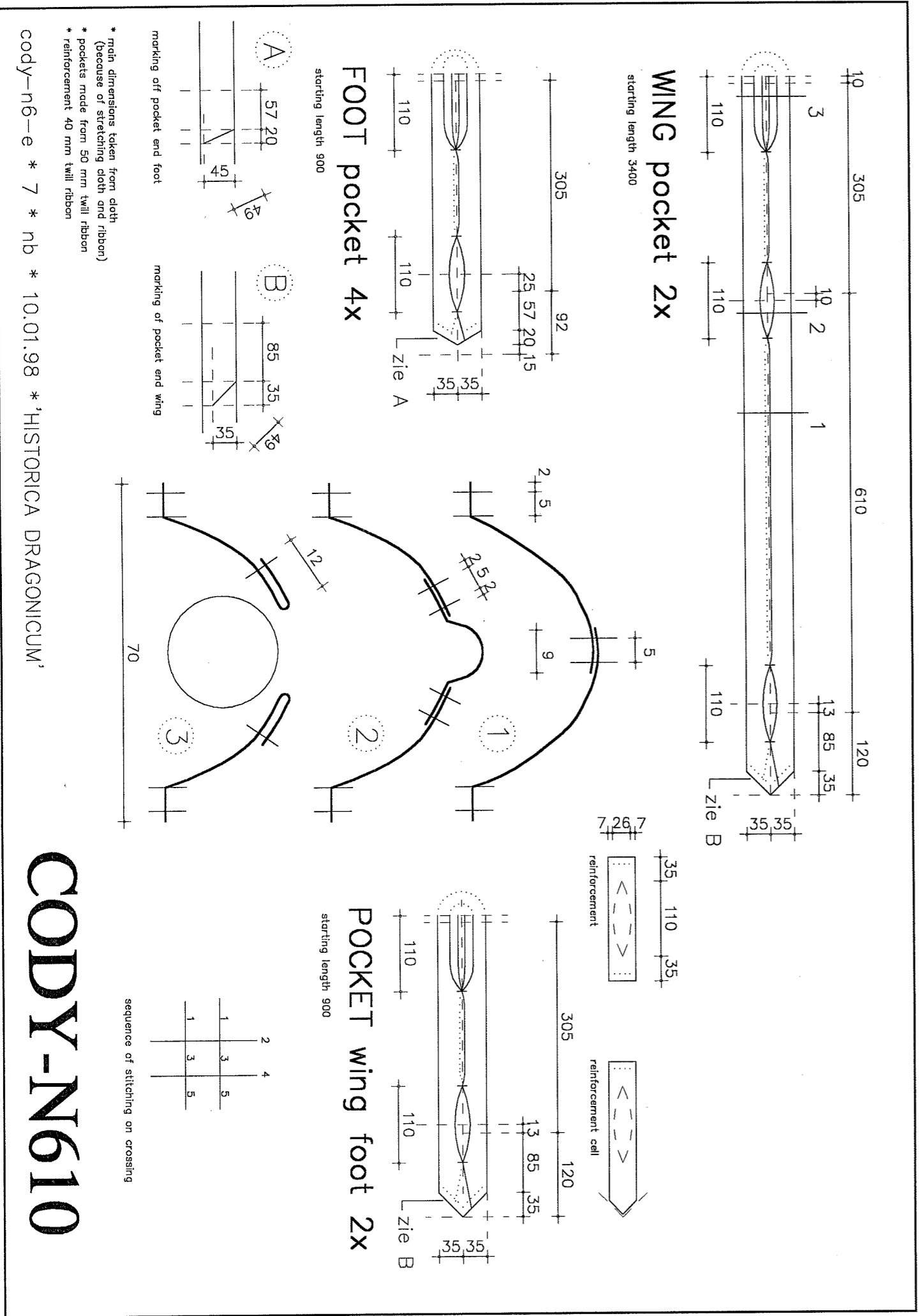
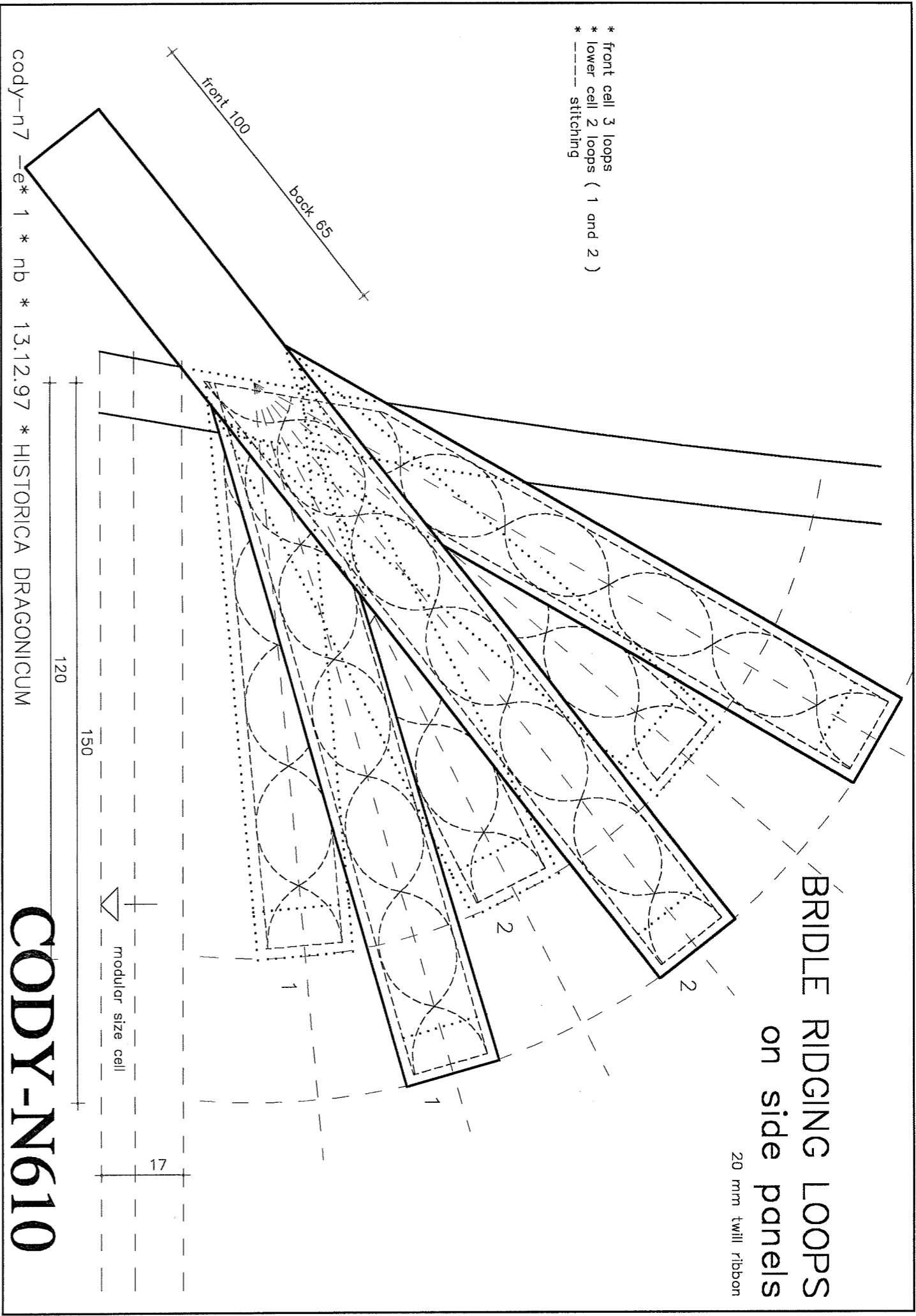
PASS THROUGH HOLES in cells

cody-n4-e * 1 * nb * 10.01.98 * 'HISTORICA DRAGONICUM

CODY-N610

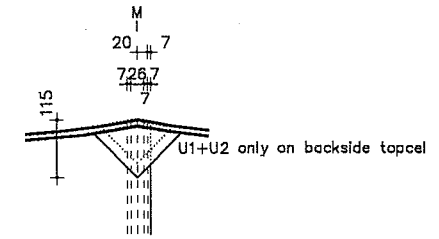
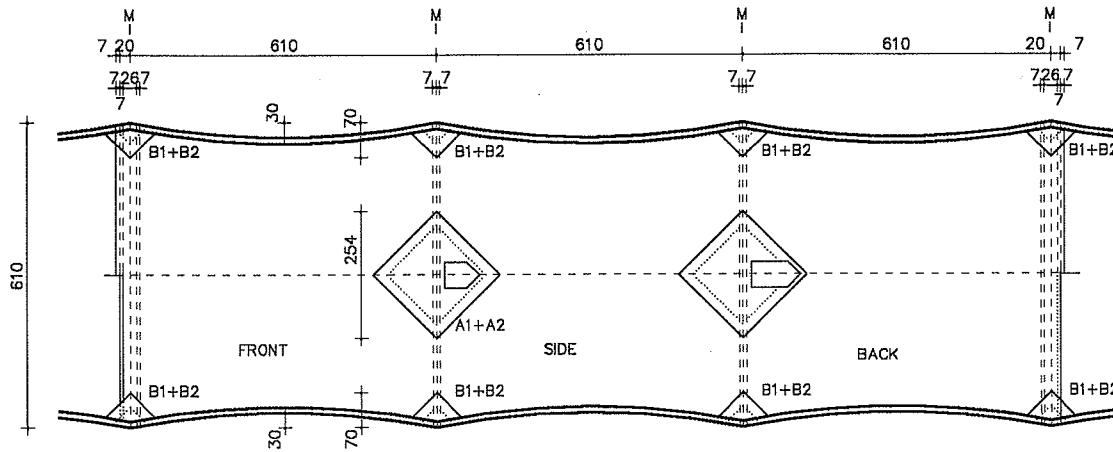


cody-n5-e * 1 * nb * 10.01.97 * 'HISTORICA DRAGONICUM



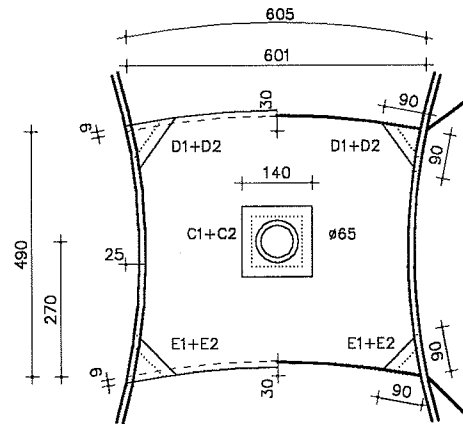
4x

eventually cell can be out of one piece of cloth



- SEQUENCE
- . 7 mm turn-up edges
 - . pieces together with transparent
 - . patches
 - . edge ribbon

2x



CELLS

